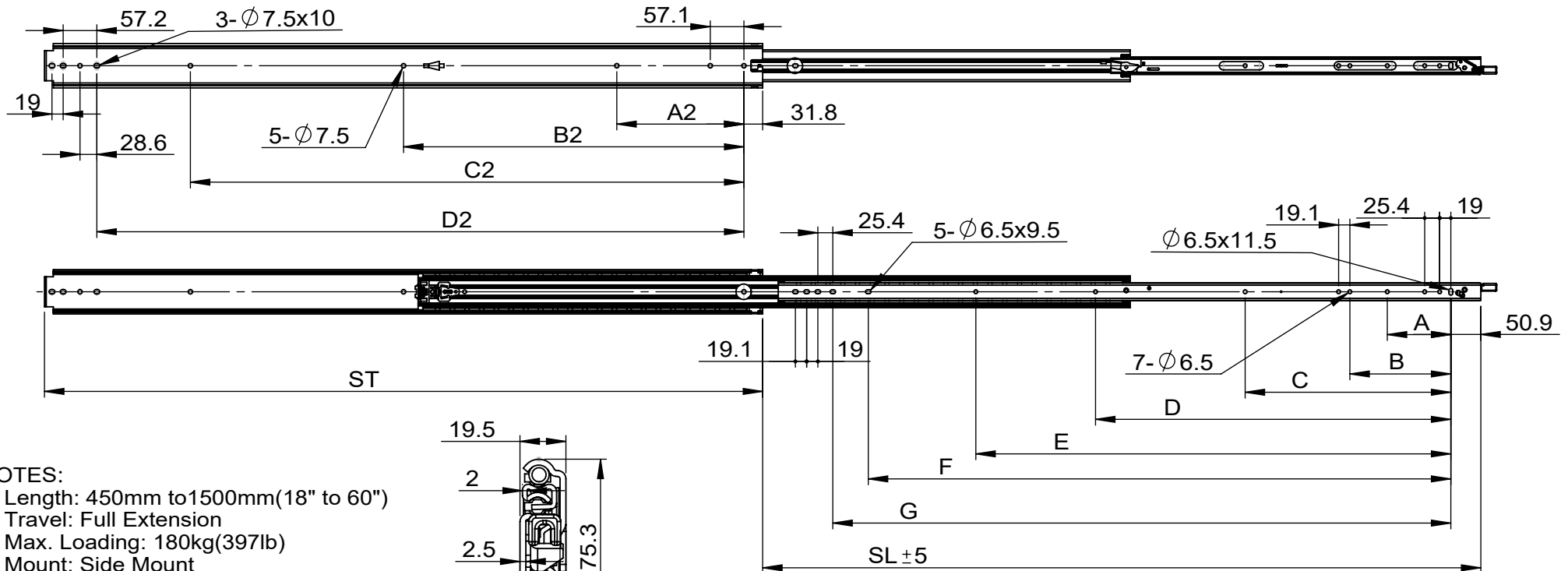
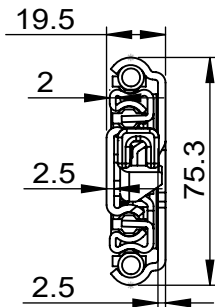


CODE	SL	ST	A	B	C	D	E	F	G	A2	B2	C2	D2	P/C
RSL76450	457.2	457.2	108	-	-	-	-	227	287	-	-	-	337	4
RSL76500	508	508	108	-	-	-	-	228	338	-	-	-	387	4
RSL76550	558.8	558.8	108	-	-	-	-	329	389	-	-	-	438	4
RSL76600	609.6	609.6	108	171	-	-	-	379	440	-	-	-	489	4
RSL76650	660.4	660.4	108	171	-	-	-	430	490	-	-	-	540	4
RSL76700	711.2	711.2	108	171	-	-	-	481	541	-	-	-	591	4
RSL76750	762	762	108	171	-	-	-	532	592	216	-	483	641	4
RSL76800	812.8	812.8	108	171	-	-	-	583	643	216	375	533	692	4
RSL76900	914.4	914.4	108	171	349	502	-	684	744	216	425	635	794	4
RSL761000	1016	1016	108	171	349	502	705	786	846	216	476	737	895	4
RSL761200	1219.2	1219.2	108	171	349	502	806	989	1049	216	578	940	1099	2
RSL761300	1320.8	1320.8	108	171	349	502	806	1091	1151	216	578	940	1200	2
RSL761500	1524	1524	108	171	349	502	806	1294	1354	216	578	940	1403	2



NOTES:

1. Length: 450mm to 1500mm (18" to 60")
2. Travel: Full Extension
3. Max. Loading: 180kg (397lb)
4. Mount: Side Mount
5. Function: Lock-in & Out with Handle
6. Finish: 304 Stainless Steel Original Color
7. Material: 304 Stainless Steel
8. Packing: Unit Packed in 4pair/carton



 中遠國際有限公司 TOOL & TECH INTERNATIONAL CO.,LTD.	Part Number:	Series RSL76	Drawn by:	Wen	Date:		Material:	
	Description:		Checked by:		Projection Method:		Finish:	

This drawing and any information or description material set out on it are the confidential and copyright property of TOOL & TECH INTERNATIONAL CO.,LTD.