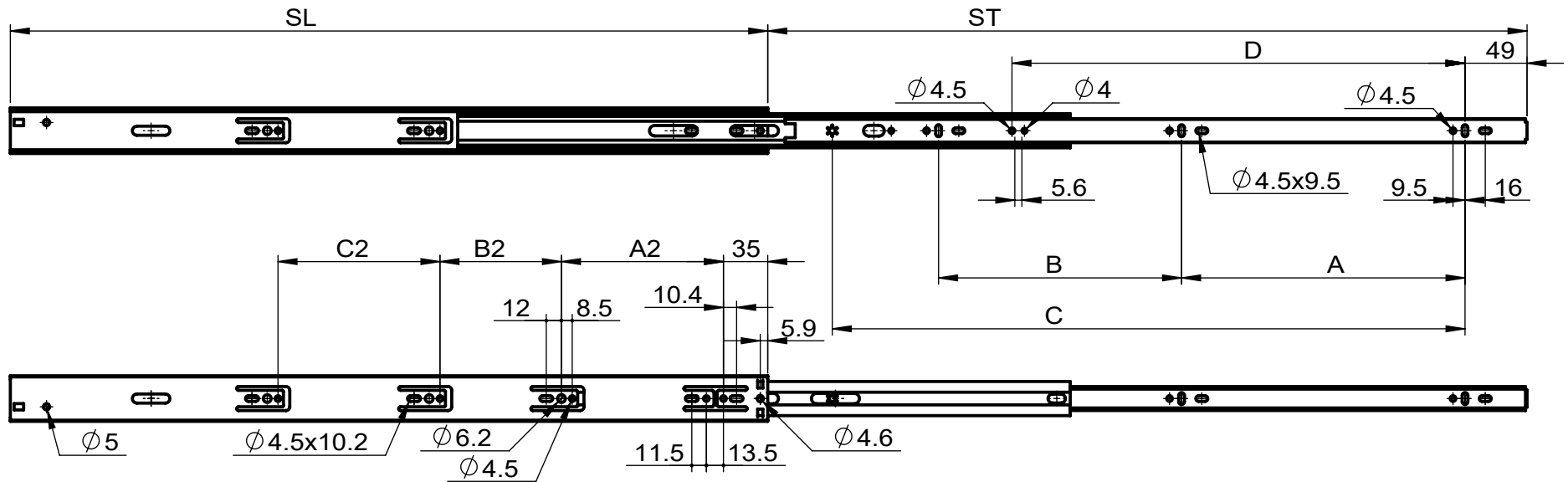
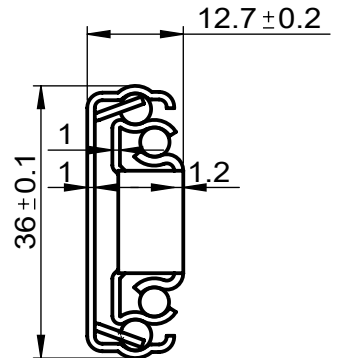


CODE	SL	ST	A	B	C	D	A2	B2	C2	P/C
K36250	250	147	-	-	-	-	-	-	-	20
K36300	300	248	64	-	200	-	96	-	-	20
K36350	350	315	96	-	250	-	72.5	55.5	-	20
K36400	400	380	128	-	300	243	128	55.5	-	20
K36450	450	446	160	125	350	-	128	96	-	20
K36500	500	496	192	128	400	310	128	96	64	20
K36550	550	546	192	192	450	334	128	96	96	20
K36600	600	600	224	192	500	358	128	96	128	20



NOTES:

1. Length: 250mm to 600mm(10" to 24")
2. Travel: Full Extension
3. Max. Loading: 35kg(77lb)
4. Mount: Side Mount
5. Disconnect: Lever Disconnect
6. Finish: Clear Zinc or Black
7. Material: Cold Rolled Steel
8. Packing: Unit Packed in 20pair/carton



Part Number: **Series K36**

Drawn by: _____ Date: _____ Material: _____

Description: _____ Checked by: _____ Projection Method: _____ Finish: _____