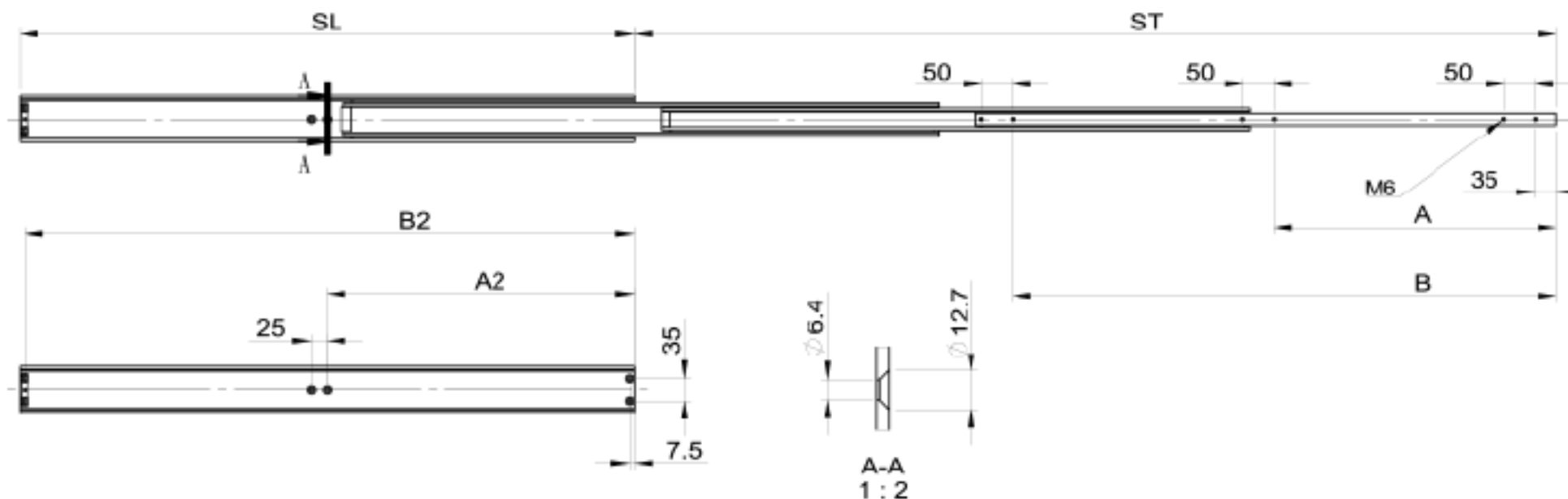
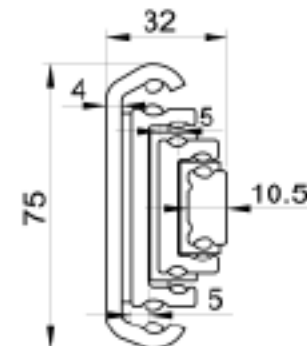


CODE	SL	ST	A	B	A2	B2	P/C
89600	600	900	260	485	300	592.5	2
89700	700	1050	310	585	350	692.5	2
89800	800	1200	360	685	400	792.5	2
89900	900	1350	410	785	450	892.5	2
891000	1000	1500	460	885	500	992.5	2



NOTES:

1. Length: 600mm to 1000mm (24" to 40")
2. Travel: Full Extension
3. Max. Loading: 250kg (551lb)
4. Mount: Side Mount
5. Function:
6. Finish: Clear Zinc or Black (RoSH)
7. Material: Cold Rolled Steel
8. Packing: Unit Packed in 2 pair/carton



Part Number: **Series 89**

Drawn by:	Date:	Maker:
Checked by:	Project checked:	Finish: